



SR-95 HIGH TECHNOLOGY

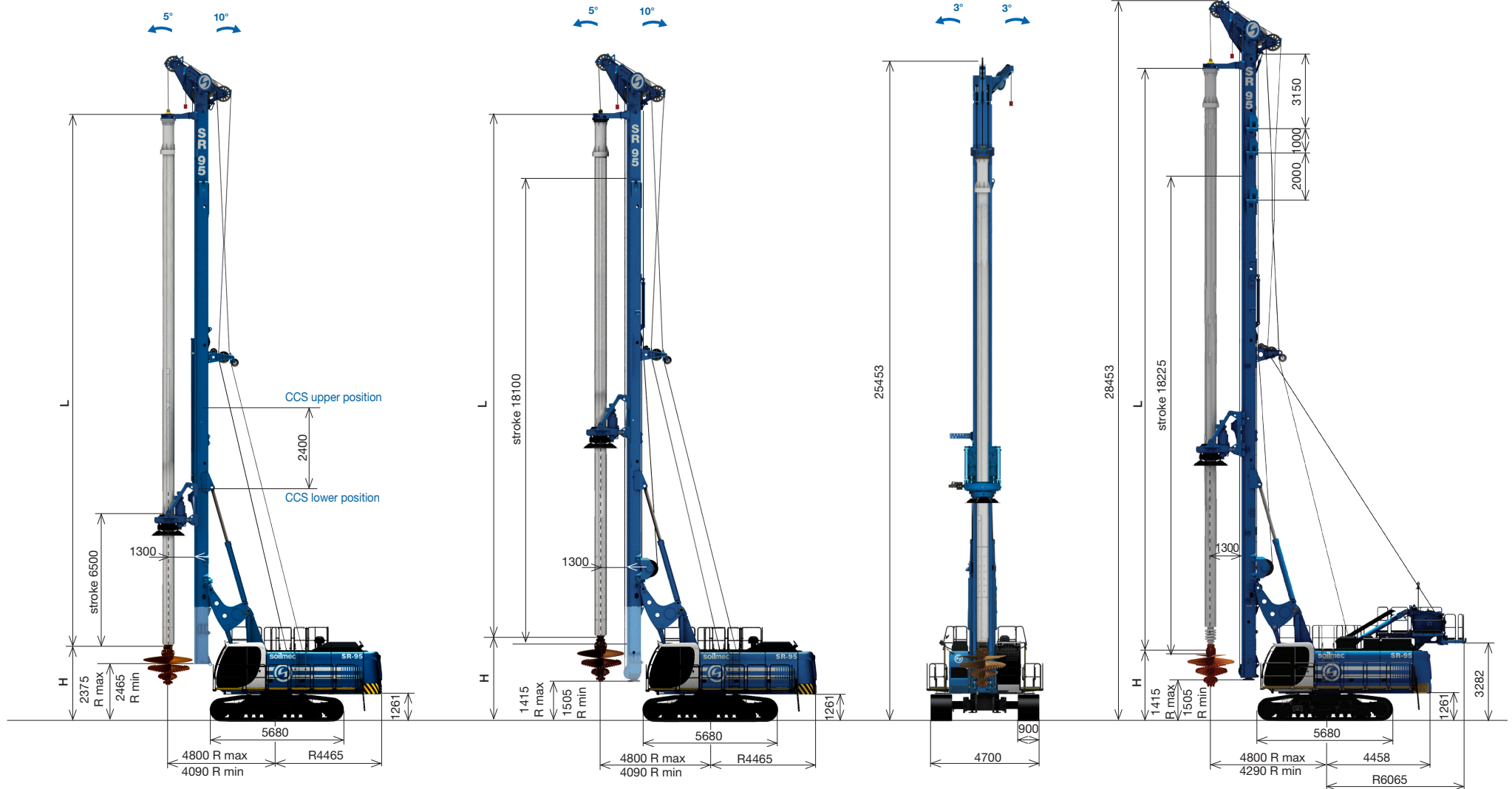
soilmec 
Drilling and Foundation Equipment

Large Diameter Piles

Cylinder Crowd System

Winch Crowd System

Extended version



Drawing are not to scale. All technical data are purely indicative and subject to change without notice.

| LDP - Large Diameter Piles - CCS version | | |
|--|----------------|--------------|
| Operating weight w/o kelly bar | 90800 kg | 200178 lb |
| Max pile diameter (tool in front of the mast) | 2100 mm | 83 in |
| Max pile diameter c/w increased drilling axis ¹ (tool in front of the mast) | 2500 mm | 98 in |
| Max pile diameter w/o lower mast section ¹⁻² (tool below the mast) | 3000 mm | 118 in |
| Max pile diameter c/w increased drilling axis ¹ & w/o lower mast section ¹⁻² (tool below the mast) | 3400 mm | 134 in |
| Working radius ⁴ | 4090 - 4800 mm | 164 - 192 in |
| Tail swing radius | 4465 mm | 176 in |
| Max pile depth - friction kelly | 89 m | 292 ft |
| Max pile depth - locking kelly | 70 m | 230 ft |
| Max pile depth - locking & friction kelly Special version with 3 m (9.8 ft) mast ext. | 81,4 - 101,7 m | 267 - 334 ft |
| LDP - Large Diameter Piles - WCS version | | |
| Operating weight w/o kelly bar | 92900 kg | 204807 lb |
| Max pile diameter (tool in front of the mast) | 1900 mm | 75 in |
| Max pile diameter c/w increased drilling axis ¹ (tool in front of the mast) | 2300 mm | 91 in |
| Max pile diameter w/o lower mast section ¹⁻³ (tool below the mast) | 3000 mm | 118 in |
| Max pile diameter c/w increased drilling axis ¹ & w/o lower mast section ¹⁻³ (tool below the mast) | 3400 mm | 134 in |
| Working radius ⁴ | 4090 - 4800 mm | 164 - 192 in |
| Tail swing radius | 4465 mm | 176 in |
| Max pile depth - friction kelly | 89 m | 292 ft |
| Max pile depth - locking kelly | 70 m | 230 ft |
| Max pile depth - locking & friction kelly Special version with 3 m (9.8 ft) mast ext. | 81,4 - 101,7 m | 267 - 334 ft |
| LDP - Large Diameter Piles - Extended version - Special arrangement ⁵ | | |
| Operating weight - w/o kelly bar - CCS version | 98500 kg | 217153 lb |
| Operating weight - w/o kelly bar - WCS version | 100600 kg | 221783 lb |
| Working radius ⁴ | 4090 - 4800 mm | 164 - 192 in |
| Tail swing radius | 6065 mm | 239 in |
| Max pile depth - locking & friction kelly | 81,4 - 101,7 m | 267 - 334 ft |

¹ special kit on request

² cylinder crowd in upper position, depth reduced by 2,4 m (7.8 ft)

³ rotary stroke and depth reduced by 2,4 m (7.8 ft)

⁴ working radius with increased drilling axis: 4290 - 4800 mm (169 - 189 in)

⁵ upgraded c/w SW350 Single layer - pull up force 350 kN (78683 lb)

Kelly bars for LDP

| | Kelly type | Kelly dimens. | Drilling Depth ¹ | Weight | L | H ⁵ | | |
|----------------------|----------------------|---------------|-----------------------------|------------|-----------|----------------|------------------------------------|-----------|
| | | | | | | CCS_low | CCS_high | WCS |
| | | | m ft | t t(US) | m ft | m ft | m ft | m ft |
| 3 parts ² | BL HD | 3 x 10,5 | 27,6 90.6 | 6,6 7.0 | 12,0 39.4 | 8,6 28.2 | 11,0 36.1 | 13,9 45.6 |
| | BL HD | 3 x 13,5 | 36,9 121.1 | 8,0 8.8 | 15,1 49.5 | 8,6 28.2 | 11,0 36.1 | 10,8 35.4 |
| | BL HD | 3 x 15,5 | 43,2 141.7 | 8,9 9.8 | 17,1 56.1 | 8,6 28.2 | 8,8 28.9 | 8,8 28.9 |
| | BL HD | 3 x 16,5 | 46,0 150.9 | 9,4 10.4 | 18,1 59.4 | 7,8 25.6 | 7,8 25.6 | 7,8 25.6 |
| | BL HD | 3 x 17,5 | 48,9 160.4 | 9,9 11.5 | 19,0 62.3 | 6,9 22.6 | 6,9 ⁴ 22.6 ⁴ | 6,9 22.6 |
| | BL HD | 3 x 18 | 51,0 167.3 | 10,1 11.1 | 19,7 64.6 | 6,2 20.3 | 6,2 ⁴ 20.3 ⁴ | 6,2 20.3 |
| | BL HD | 3 x 18,5 | 52,3 171.6 | 10,4 11.8 | 20,2 66.3 | 5,7 18.7 | 5,7 ⁴ 18.7 ⁴ | 5,7 18.7 |
| | BL HD ⁴ | 3 x 20 | 55,9 183.4 | 11,1 12.2 | 21,4 70.2 | 4,5 14.8 | - - | 4,5 14.8 |
| | BL HD ⁴ | 3 x 21,5 | 60,9 199.8 | 11,8 13.0 | 23,0 75.5 | 2,9 9.5 | - - | 2,9 9.5 |
| | BL HD | 4 x 10,5 | 37,2 122.0 | 6,9 7.6 | 12,0 39.4 | 8,8 28.9 | 11,2 36.7 | 13,9 45.6 |
| | BL HD | 4 x 13,5 | 49,5 162.4 | 8,4 9.3 | 15,1 49.5 | 8,8 28.9 | 11,2 36.7 | 10,8 35.4 |
| | 4 parts ² | BL HD | 4 x 15,5 | 57,6 189.0 | 9,4 10.4 | 17,1 56.1 | 8,8 28.9 | 8,8 28.9 |
| BL HD | | 4 x 16,5 | 61,5 201.8 | 9,9 10.9 | 18,1 59.4 | 7,8 25.6 | 7,8 25.6 | 7,8 25.6 |
| BL HD | | 4 x 17,5 | 65,4 214.6 | 10,4 11.5 | 19,0 62.3 | 6,9 22.6 | 6,9 ⁴ 22.6 ⁴ | 6,9 22.6 |
| BL HD | | 4 x 18 | 68,1 223.4 | 10,7 11.8 | 19,7 64.6 | 6,2 20.3 | 6,1 ⁴ 20.0 ⁴ | 6,2 20.3 |
| BL HD | | 4 x 18,5 | 69,9 229.3 | 11,0 12.1 | 20,2 66.3 | 5,7 18.7 | 5,7 ⁴ 18.7 ⁴ | 5,7 18.7 |
| BL HD ⁴ | | 4 x 19,5 | 74,0 242.8 | 11,5 12.7 | 21,1 69.2 | 4,8 15.7 | - - | 4,8 15.7 |
| BL HD ⁴ | | 4 x 20 | 74,7 245.1 | 11,7 12.9 | 21,4 70.2 | 4,5 14.8 | - - | 4,5 14.8 |
| BL HD ⁴ | | 4 x 21,5 | 81,4 267.1 | 12,5 13.8 | 23,0 75.5 | 2,9 9.5 | - - | 2,9 9.5 |
| FR HD | | 5 x 10,5 | 46,6 152.9 | 7,7 8.4 | 12,0 39.4 | 8,8 28.9 | 11,2 36.7 | 13,9 45.6 |
| FR HD | | 5 x 13,5 | 62,4 204.7 | 9,5 10.5 | 15,1 49.5 | 8,8 28.9 | 11,2 36.7 | 10,8 35.4 |
| FR HD | | 5 x 15,5 | 72,3 237.2 | 10,8 11.9 | 17,1 56.1 | 8,8 28.9 | 8,8 28.9 | 8,8 28.9 |
| 5 parts ³ | | FR HD | 5 x 16,5 | 77,0 252.6 | 11,4 12.6 | 18,1 59.4 | 7,9 25.6 | 7,8 25.6 |
| | FR HD | 5 x 17,5 | 81,9 268.7 | 12,0 13.3 | 19,0 62.3 | 6,9 22.6 | 6,9 ⁴ 22.6 ⁴ | 6,9 22.6 |
| | FR HD | 5 x 18 | 85,3 279.9 | 12,4 13.6 | 19,7 64.6 | 6,1 20.0 | 6,1 ⁴ 20.0 ⁴ | 6,2 20.3 |
| | FR HD | 5 x 18,5 | 87,5 287.1 | 12,7 14.0 | 20,2 66.3 | 5,7 18.7 | 5,7 ⁴ 18.7 ⁴ | 5,7 18.7 |
| | FR HD ⁴ | 5 x 19 | 88,9 291.7 | 13,0 14.3 | 20,4 66.9 | 5,5 18.0 | 5,5 ⁴ 18.0 ⁴ | 5,5 18.0 |
| | FR HD ⁴ | 5 x 20 | 94,2 309.1 | 13,6 15.0 | 21,4 70.2 | 4,5 14.8 | - - | 4,5 14.8 |
| FR HD ⁴ | 5 x 21,5 | 101,7 333.7 | 14,6 16.0 | 22,9 75.1 | 2,9 9.5 | - - | 3,0 9.8 | |

¹ drilling depth is calculated with kelly bar c/w stub 200x200 & drilling tool 1500 mm (4.9 ft) long; drilling depth is reduced by 2.4 m (7.8ft) without lower mast section or CCS in upper position; drilling depth is reduced by 0.1 m (0.33ft) with increased drilling axis.

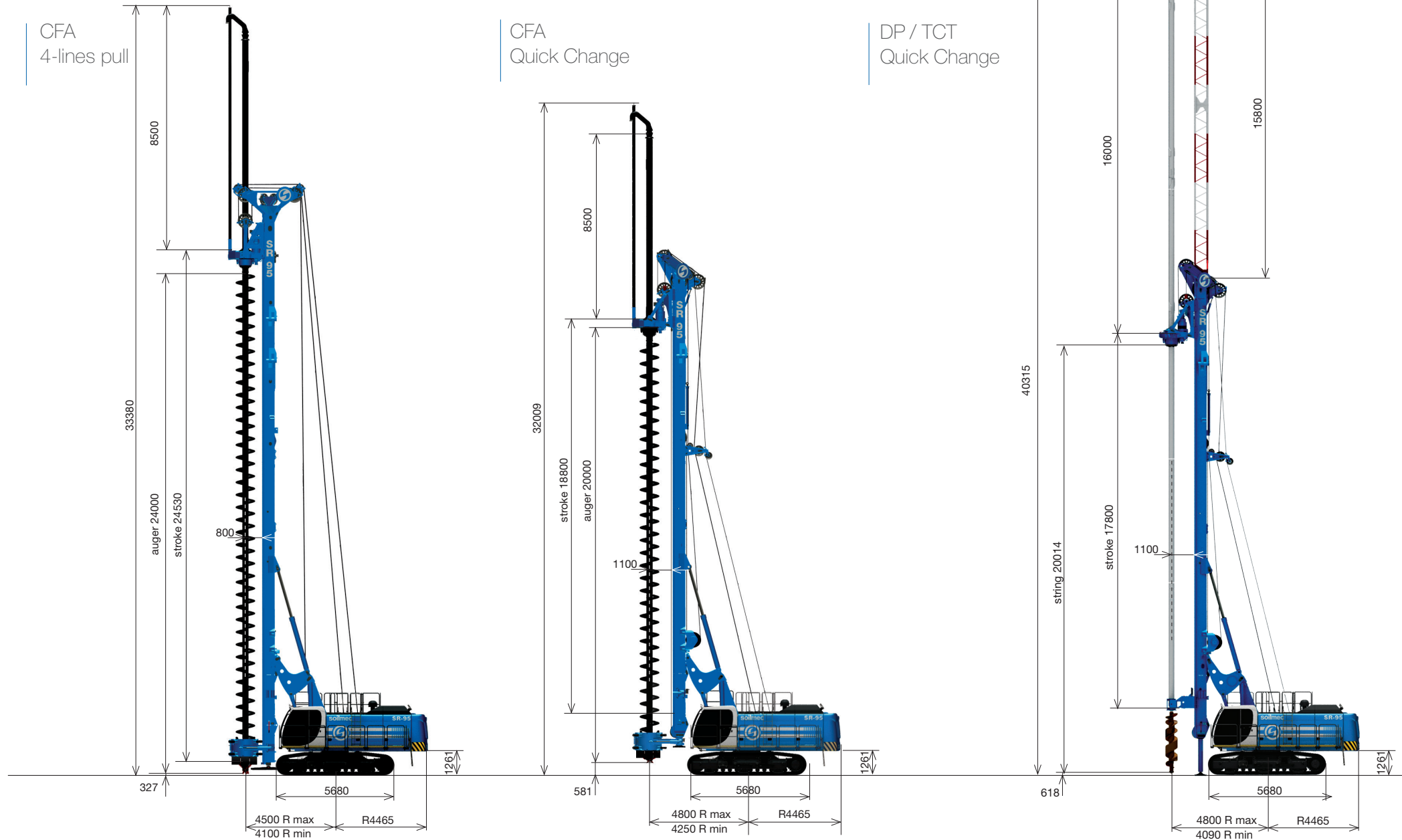
² friction type is also available with the same dimension

³ rotary torque derated

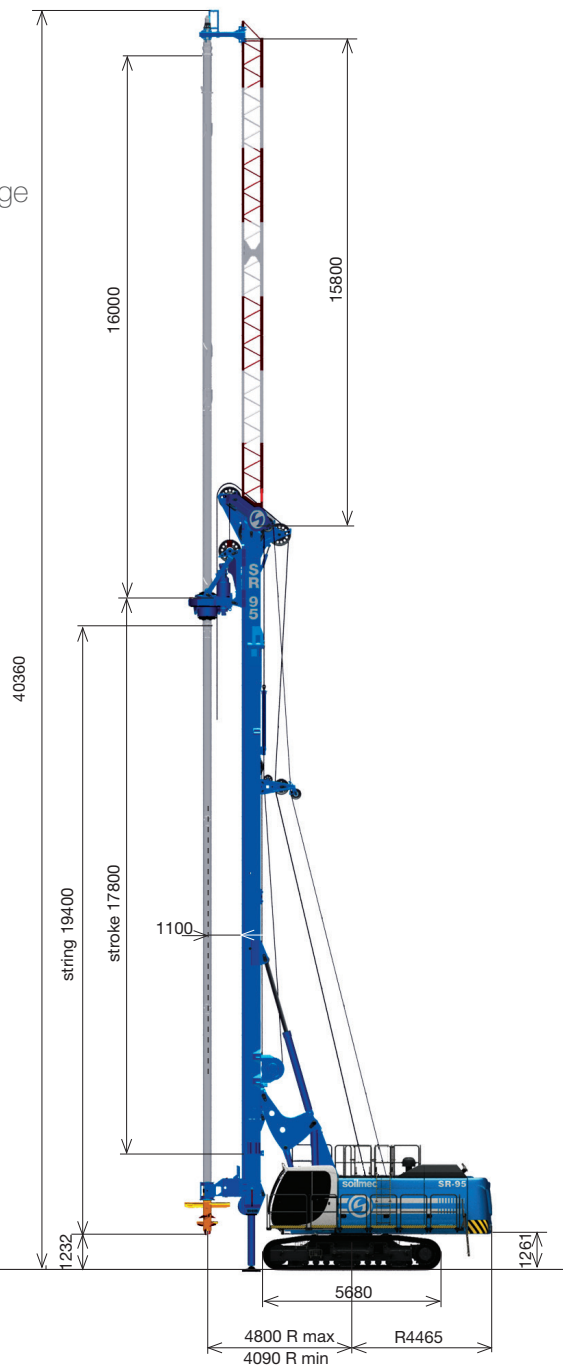
⁴ available only c/w 3 m (9.8 ft) mast extension kit

⁵ clearance c/w 3 m (9.8 ft) mast extension kit.

CFA / DP / TJ applications



TJ
Quick Change



| CFA - Continuous Flight Auger - 4-lines pull | standard version | | extended version ³ | |
|--|------------------|------------------|-------------------------------|------------------|
| Operating weight (c/w 8,5 m - 28 ft sleeve extension, w/o auger) | 95900 kg | 211421 lb | 96400 kg | 212526 lb |
| Max pile diameter | 1200 mm | 47.24 in | 1200 mm | 47.24 in |
| Max length of auger | 24 m | 79 ft | 26 m | 85 ft |
| Max length of sleeve extension | 8,5 m | 28 ft | 8,5 m | 28 ft |
| Max pile depth (c/w 8,5 m - 28 ft sleeve extension) ¹ | 32,5 m | 107 ft | 34,5 m | 113 ft |
| Nominal extraction force | 1110 kN | 249534 lbf | 1110 kN | 249534 lbf |
| Additional crowd force on auger ² | 100/484 kN | 22481/108806 lbf | 100 / 484 kN | 22481/108806 lbf |

| CFA - Continuous Flight Auger - Quick change | standard version | | extended version ³ | |
|--|------------------|------------|-------------------------------|------------|
| Operating weight (c/w 8,5 m - 28 ft sleeve extension, w/o auger) | 96000 kg | 211642 lb | 98200 kg | 216494 lb |
| Max pile diameter | 1200 mm | 47.24 in | 1200 mm | 47.24 in |
| Max length of auger | 20 m | 66 ft | 23 m | 75 ft |
| Max length of sleeve extension | 8,5 m | 28 ft | 8,5 m | 28 ft |
| Max pile depth (c/w 8,5 m - 28 ft sleeve extension) ¹ | 26,5 m | 87 ft | 29,5 m | 97 ft |
| Nominal extraction force | 1000 kN | 224805 lbf | 1000 kN | 224805 lbf |
| Additional crowd force on auger | 484 kN | 108806 lbf | 484 kN | 108806 lbf |

| DP - Displacement pile - Quick change ⁴ | standard version | | extended version ³ | |
|--|------------------|-----------|-------------------------------|-----------|
| Operating weight (c/w 8,5 m - 28 ft sleeve extension, w/o string) | 96500 kg | 212746 lb | 98700 kg | 217596 lb |
| Max recommended DP/TCT pile diameter | 600 mm | 23.62 in | 600 mm | 23.62 in |
| Max recommended TCT pile diameter | 800 mm | 31.50 in | 800 mm | 31.50 in |
| Max length of string | 20 m | 66 ft | 23 m | 75 ft |
| Max pile depth w/o lattice boom extension c/w 8,5 m (27.8 ft) string extension | 25,5 m | 84 ft | 28,5 m | 94 ft |
| Lattice boom extension length | 16 m | 52 ft | n.a. | n.a. |
| Max pile depth c/w lattice boom extension | 33 m | 108 ft | n.a. | n.a. |

| TJ - Turbo jet - Quick change ⁴ | standard version | | extended version ³ | |
|--|------------------|-----------|-------------------------------|-----------|
| Operating weight (c/w 8,5 m - 28 ft sleeve extension, w/o string) | 96500 kg | 212746 lb | 98700 kg | 217596 lb |
| Max recommended TJ pile diameter | 1900 mm | 74.80 in | 1900 mm | 74.80 in |
| Max length of string | 20 m | 66 ft | 23 m | 75 ft |
| Max pile depth w/o lattice boom extension c/w 6 m (19,6 ft) string extension | 23 m | 75 ft | 26 m | 85 ft |
| Lattice boom extension length | 16 m | 52 ft | n.a. | n.a. |
| Max pile depth c/w lattice boom extension | 33 m | 108 ft | n.a. | n.a. |

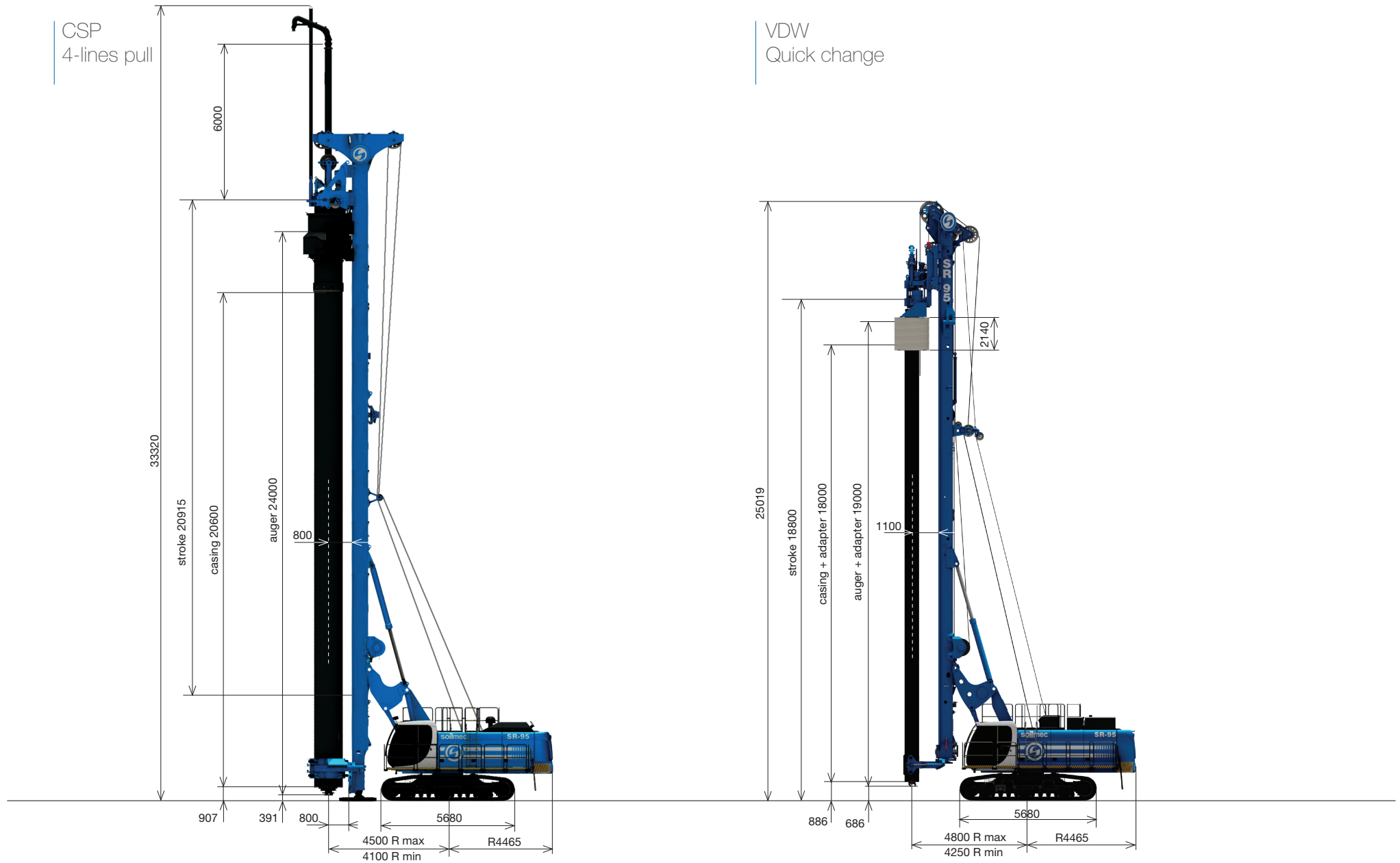
¹ depth reduced by 1,5 m (4.9 ft) with hydraulic auger cleaner

² depth reduced by 0,2 m (0.66 ft) with 100 kN - by 1,4m (4.5 ft) with 484 kN

³ special package with mast extension on request

⁴ DP/TCT and TJ are also available with 4-lines pull version

CSP / VDW applications



| CSP - Cased secant piles - 4-lines pull | | |
|---|-----------------------------------|------------------------------------|
| Operating weight (c/w 6 m - 19.7 ft auger extension, w/o auger and casing) | 109600 kg | 241624 lb |
| Max pile diameter | 800 / 1000 ¹ mm | 31.5 / 39.1 ¹ in |
| Max augered depth (c/w 6 m - 19.7 ft auger extension) | 26,5 m | 87 ft |
| Max cased depth | 19,9 m | 65 ft |
| Auger max torque (intermittent) | 250 kNm | 184387 lb*ft |
| Max auger speed rotation | 25,4 rpm | 25.4 rpm |
| Auger pull up/down | 1110 / 332 kN | 249534 / 74635 lbf |
| Casing max torque (intermittent) | 252 kNm | 185863 lb*ft |
| Max casing speed rotation | 5 rpm | 5 rpm |
| Casing pull up/down | 816 / 484 kN | 183441 / 108806 lbf |

| VDW 2010 - Cased secant piles - Quick change | standard version | | extended version ² | |
|---|-------------------------|----------------------------|--------------------------------------|-------------------------------------|
| Operating weight (w/o auger and casing) | 95000 kg | 209437 lb | 97200 kg | 214287 lb |
| Max pile diameter | 800 mm | 31.50 in | 600 / 800 ¹ mm | 23.6 / 31.52 ¹ ft |
| Max augered depth w/o auger cleaner | 18 m | 59 ft | 21 m | 69 ft |
| Max cased depth w/o auger cleaner | 17,8 m | 58 ft | 20,8 m | 68 ft |
| Casing max torque | 200 kNm | 147510 lb*ft | 200 kNm | 147510 lb*ft |
| Max casing speed rotation | 20 rpm | 20 rpm | 20 rpm | 20 rpm |
| Auger max torque | 100 kNm | 73755 lb*ft | 100 kNm | 73755 lb*ft |
| Max auger speed rotation | 40 rpm | 40 rpm | 40,0 rpm | 40 rpm |
| VDW pull up/down | 850 / 484 kN | 191084 / 108806 lbf | 850 / 484 kN | 191084 / 108806 lbf |

¹ special undercarriage is required and 17,3 t (30140 lb) counterweight is required

² special package with mast extension on request

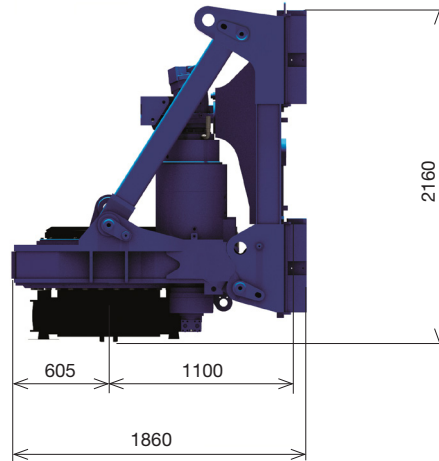
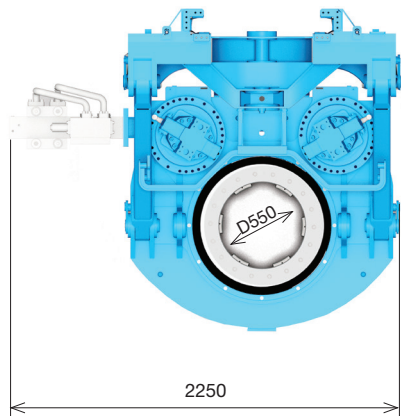
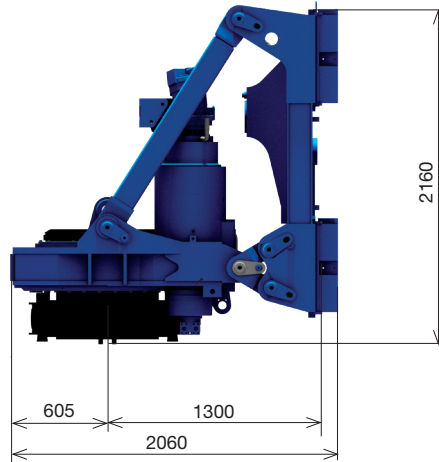
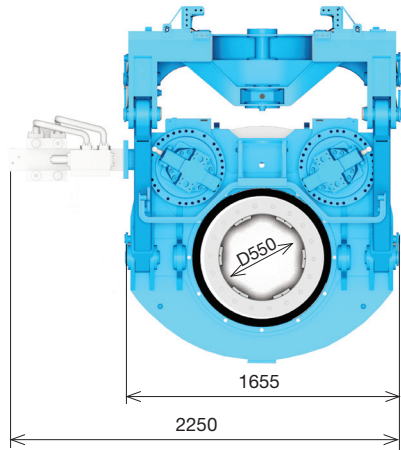
The SR-95 HIT has a very wide offer for the cased augered piles technology.

The rig can be fitted with the "classic" CAP/CSP system developed by Soilmecc or with the new VDW system.

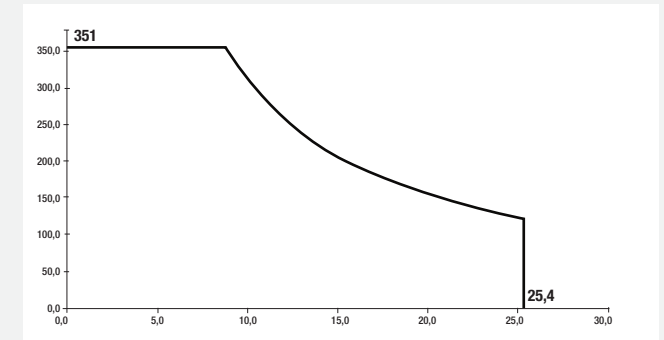
The CAP/CASP system, with the machine in 4-lines pull version, enables you to get the higher performance thanks to the independent rotaries and a very high extraction force.

The VDW system ensure an easy conversion from quick change and allows a front of wall minimum distance.

Rotary



Rotary torque diagram



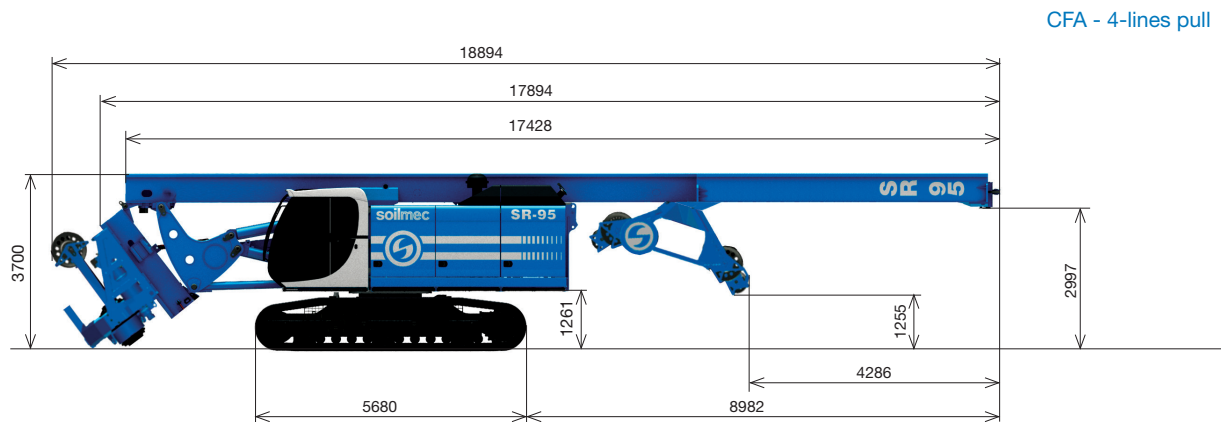
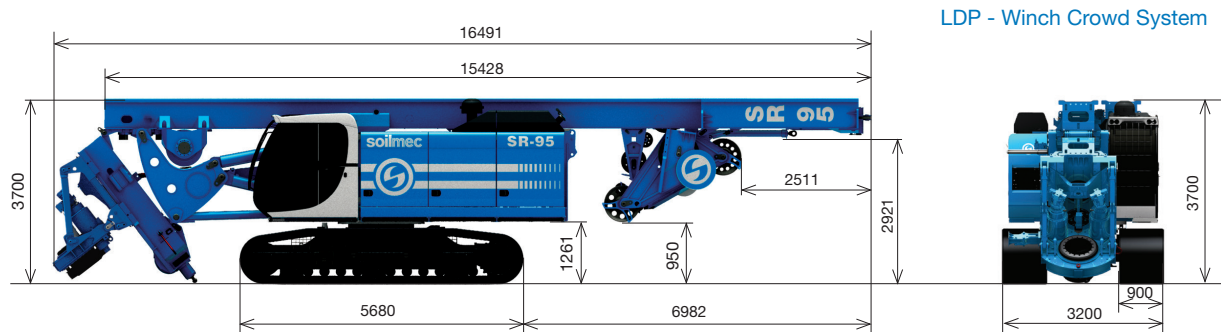
The new rotary design allows a longer stroke, a higher extraction force and maximum use of available power. Every detail has been accurately designed to increase jobsite production.

The rotary sleeve is composed of symmetrical and interchangeable ribs in order to reduce maintenance time. The inner passage is 550 mm (21.6 in) without ribs.

The variable drilling axis device (from 1100 mm to 1300 mm / 45 in to 70 in) ensures the maximum geometric clearance in front of the mast (CCS up to diameter 2500mm / 98 in - WCS up to diameter 2300 mm / 90

| Type | | |
|---------------------------------------|----------|---------------|
| Max torque | 351 kNm | 258880 lbf·ft |
| 1 st gear rated torque | 301 kNm | 222006 lbf·ft |
| Max drilling speed | 25,4 rpm | 25.4 rpm |
| Max spin off speed | 120 rpm | 120 rpm |
| Weight (w/o cradle and casing flange) | 4840 kg | 10670 lb |

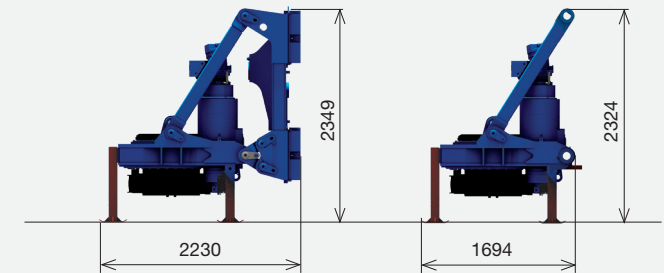
Transport, dimensions & weights



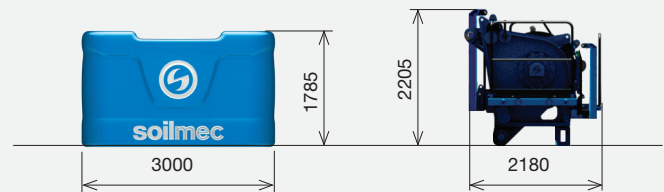
| Transport configuration | | |
|---|------------------|--------------------|
| Width c/w - w/o crawlers ¹ | 3200 - 3000 mm | 126 - 118 in |
| Height c/w - w/o crawlers ² | 3700 - 3350 mm | 148 - 134 in |
| Length CCS version w/o rotary | 15900 mm | 626 in |
| Length WCS version w/o rotary | 16350 mm | 644 in |
| Length ECT4 version w/o rotary | 17900 mm | 705 in |
| Weight CCS version c/w rotary, w/o counterweight - w/o rotary, counterweight, crawlers | 72100 - 45700 kg | 158953 - 100751 lb |
| Weight WCS version c/w rotary, w/o counterweight - w/o rotary, counterweight, crawlers | 75600 - 54400 kg | 166669 - 119931 lb |
| Weight ECT4 version c/w rotary, w/o counterweight - w/o rotary, counterweight, crawlers | 68800 - 52800 kg | 151678 - 116404 lb |

¹ 3400 - 3000 (134 - 118 in) c/w special undercarriage

² 3780 - 3400 (149 - 134 in) c/w special undercarriage

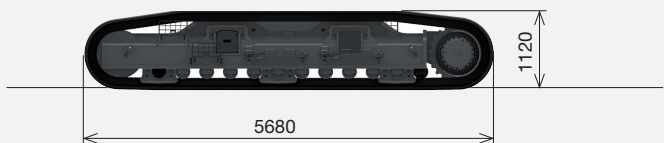


| Transport configuration | Rotary | |
|-------------------------|---------|----------|
| Weight w/o cradle | 4780 kg | 10538 lb |
| Width w/o cradle | 2232 mm | 88 in |
| Weight c/w cradle | 6500 kg | 14330 lb |
| Width c/w cradle | 2260 mm | 89 in |



| Transport configuration | Counterweight | |
|-------------------------|---------------|----------|
| Transport weight | 15100 kg | 33289 lb |
| Thickness | 765 mm | 30 in |

| Transport configuration | Main winch - single layer | |
|------------------------------|---------------------------|----------|
| Weight c/w foldable platform | 6550 kg | 14440 lb |
| Width c/w foldable platform | 4368 mm | 172 in |



| Transport configuration | Crawler | |
|-----------------------------------|----------|----------|
| Transport weight for each element | 16000 kg | 35274 lb |
| Thickness | 900 mm | 35 in |

Technical data

Undercarriage



| Undercarriage | | |
|--|---|---|
| Type | variable gauge, telescoping removable sides | variable gauge, telescoping removable sides |
| Overall width with retracted/extended crawlers | 3200 / 4700 mm | 126 / 185 in |
| Width of triple grouser track shoes | 900 mm | 35.4 in |
| Overall length of crawlers | 5680 mm | 224 in |
| Traction force | 668 kN | 150172.4 lbf |
| Travelling speed | 1,9 km/h | 1.2 mph |
| Special undercarriage - CSP version | | |
| Type | variable gauge, telescoping removable sides | variable gauge, telescoping removable sides |
| Overall width with retracted/extended crawlers | 3400 / 5000 mm | 134 / 197 in |
| Width of triple grouser track shoes | 900 mm | 35.4 in |
| Overall length of crawlers | 5968 mm | 235 in |
| Traction force | 771 kN | 173328 lbf |
| Travelling speed | 1,65 km/h | 1.03 mph |

Engine



| Engine | | |
|--|-----------------------------------|----------------------------|
| Engine model ¹ | Cummins X15 | Cummins X15 |
| Power rating | 450 kW @ 1800 rpm | 603 HP @ 1800 rpm |
| Engine conforms to Exhaust emission Standard | EU stage V, US EPA Tier 4f | EU stage V, US EPA Tier 4f |
| Fuel tank capacity | 830 l | 220 US gal |
| AD Blue tank capacity | 56,8 l | 15 US gal |

¹ CAT C15 - Tier3 is available on request

Hydraulic system



| Hydraulic system | | |
|-----------------------------|-----------------------------|------------------------|
| Main pumps flow | 2x 444 l/min | 2x 117.3 US gal/min |
| Auxiliary pumps flow | 140 + 105 + 26 l/min | 37 + 28 + 7 US gal/min |
| Hydraulic oil tank capacity | 1050 l | 277 US gal |

Crowd system

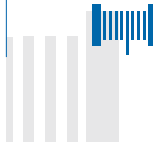


| CCS_Cylinder Crowd System | | |
|----------------------------|-------------------------|-------------------|
| Stroke | 6500 mm | 256 in |
| Crowd force pull (down/up) | 280 / 365 kN | 62945 / 82054 lbf |
| Speed up (slow/fast) | 3,7 / 10,8 m/min | 12 / 35.4 ft/min |
| Speed down (slow/fast) | 3,5 / 11 m/min | 11.5 / 36 ft/min |

Crowd system



Winches



Noise



WCS_Winch Crowd System

| | | |
|----------------------------|---------------------|---------------------|
| Stroke ² | 18800 mm | 740 in |
| Crowd force pull (down/up) | 484 / 484 kN | 108800 / 108800 lbf |
| Speed up (slow/fast) | 6 / 26 m/min | 19.7 / 85.3 ft/min |
| Speed down (slow/fast) | 6 / 26 m/min | 19.7 / 85.3 ft/min |

² stroke 21800 mm (858 in) with 3 m (10 ft) mast extension is available on request

Main winch - standard

| | | |
|------------------------------------|---------------------------|--------------------|
| Type | controlled descent | controlled descent |
| Rope layers | 3 | 3 |
| Line pull (1 st layer) | 320 kN | 71939 lbf |
| Rope diameter | 32 mm | 1.26 in |
| Rope speed (1 st layer) | 81 m/min | 265 ft/min |

Main winch - single layer (on request)

| | | |
|---------------|---------------------------|--------------------|
| Type | controlled descent | controlled descent |
| Line pull | 350 kN | 78683 lbf |
| Rope diameter | 32 mm | 1.26 in |
| Rope speed | 80 m/min | 262 ft/min |

Auxiliary winch

| | | |
|------------------------------------|---------------------------|--------------------|
| Type | controlled descent | controlled descent |
| Rope layers | 2 | 2 |
| Line pull (1 st layer) | 132 kN | 28550 lbf |
| Rope diameter | 22 mm | 0.87 in |
| Rope speed (1 st layer) | 70 m/min | 230 ft/min |

Noise

| | | |
|--|---------------------------------|--------------------------|
| Sound pressure level in cab c/w Tier 4f EU Stage V, US EPA Engine | 109 dB | 109 dB |
| Sound power level c/w Tier 4f EU Stage V, US EPA Engine | 72 dB | 72 dB |
| Vibration transmitted to the hand-arm system of the machine operator | < 2,5 m/s² | < 8.2 ft/s ² |
| Vibration transmitted to the whole body of the machine operator | < 0,5 m/s² | < 1.67 ft/s ² |

Configurations

UNDERCARRIAGE

| | |
|---|---|
| Variable gauge, telescopic removable sides | ● |
| Stabilizers cylinders | ● |
| Hydraulic prearrangement for casing oscillator | ○ |
| Mechanical prearrangement for casing oscillator | ● |
| VRM200KL casing oscillator | ○ |
| Radio remote control for tramping operation | ● |

UPPER STRUCTURE

| | |
|---|---|
| Diesel engine CAT C15 ACERT EU Stage IIIA – US EPA Tier 3 | ○ |
| Diesel engine Cummins X15 EU Stage V – US EPA Tier 4F | ● |
| Start and slow system | ● |
| Harness technology for electrical system | ● |
| Automatic greasing package | ○ |
| Compressor kit | ○ |
| Removable catwalk 900 mm (35.4 in) wide c/w handrails | ● |
| Foldable catwalk 900 mm (35.4 in) wide c/w handrails | ○ |
| Acoustic & light alarm for tramping | ● |
| Lighting led system package | ● |
| Sound proofed canopies | ● |
| Silent pack | ○ |
| Hydraulic prearrangement for additional technologies | ● |

H-CAB

| | |
|---|---|
| Front protective grille | ● |
| Falling object protective structure (FOPS) | ● |
| Lower front protective grille | ○ |
| Rearview mirrors | ● |
| Comfort package | ● |
| Operator seat (air suspension, lumbar support, fully adjustable positioning, safety belt & operator presence micro-switch) | ● |
| Sliding door | ● |
| Sliding window | ○ |
| Lighting system in front of the cab | ● |

CONTROL AND MONITORING SYSTEM

| | |
|--|---|
| DMS ON BOARD with technological package | ● |
| DMS PC | ● |
| DMS manager 4.0 | ○ |
| GSM / GPRS / WIFI Modem | ● |
| DMS ON BOARD adjustable monitor 12" touch screen | ● |
| Video control by 5 cameras with display in the cab | ● |
| Inclinometer device with automatic verticality | ● |

WINCHES

| | |
|---|---|
| Main winch SW320 model | ● |
| Main winch SW350 model - single layer | ○ |
| Load cell for main winch | ○ |
| Limit switch for rope winding and winches | ● |
| Depthmeter for main winch | ● |
| Anti-slack system for main winch | ○ |
| Service winch SW130 model | ● |
| Load cell for service winch | ● |
| Swivel for auxiliary winch | ○ |
| Service rope holder | ● |

ROTARY UNIT

| | |
|--|---|
| Rotary unit c/w spin-off; Max torque intermitted: 351 kNm (258880 lbs*ft) | ● |
| Replaceable drive ribs | ● |
| Automatic greasing kit for cradle | ● |
| Oil discharge conveying system | ● |

MAST

| | |
|--|---|
| Upper foldable mast element | ● |
| Lower foldable mast element | ● |
| Automatic greasing package for cathead | ○ |

KELLY BAR TECHNOLOGY

| | |
|--|---|
| Rotary sleeve with 3 ribs | ● |
| Cardan joint | ● |
| Flange for casing driving d. 1500 mm (59 in) | ● |
| Automatic return to the centre hole | ○ |
| Automatic greasing kit for winch crowd | ○ |
| Telescopic mast foot (only for WCS) | ● |
| Drilling axis 1100 mm (from 61 in) | ● |
| Variable Drilling axis 1300 mm (51 in) | ○ |
| Package for long mast - upgraded version | ○ |

CFA TECHNOLOGY

| | |
|---|---|
| Sleeve 6 m (19.7 in) long 25HD-5 | ○ |
| Sleeve 8,5 m (27.8 in) long 25HD-5 | ○ |
| CFA package for 20 m (65.6 in) ECT2 | ● |
| CFA package for 23 m (75.5 in) ECT2 | ○ |
| CFA package for 24 m (79 in) ECT4 | ● |
| CFA package for 26 m (85 in) ECT4 | ○ |
| DMS ON BOARD with automatic auger lifting | ● |
| Concrete pipe on turret and mast | ○ |

| | |
|---|---|
| Autodrilling package | ○ |
| Autorotary package | ○ |
| Automatic greasing kit for sheeves block | ○ |
| Additional pull-down winch | ○ |
| Hydraulic universal openable lower guide Ø 1200mm (47.2 in) | ● |
| Auger cleaner star type | ○ |
| Double roller auger cleaner Ø 1200 mm (47.2 in) | ● |
| Wi-Fi pressure transducer kit for concrete line | ○ |
| Two pressure transducers kit | ○ |
| Hydraulic prearrangement for VTH-1 vibrator | ○ |

OTHER TECHNOLOGIES

| | |
|--|---|
| CSP technology 19,9 m (65 ft) cased depth for 4-lines pull version | ○ |
| Special undercarriage for CSP version | ○ |
| VDW technology for Quick Change std and extended version | ○ |
| DP/TCT technology for Quick Change and 4-lines pull version | ○ |
| TJ technology for Quick Change and 4-lines pull version | ○ |

● standard ○ optional

* The technology package is only referred to the machine set up in this specific version

A close-up photograph of a muddy tire tread on a dirt surface. The tire is in the foreground, showing deep grooves filled with dark brown mud. The background is a blurred dirt surface with some green grass visible in the distance.

www.soilmec.it

This brochure has been edited and distributed by SOILMEC Spa. The present document cancels and override any previous ones. This brochure shall not be distributed, reproduced or exhibited without SOILMEC Spa. authorization in accordance with to SOILMEC web site disclaimer condition.

SOILMEC Spa distributes machinery and structures all over the world, supported by SOILMEC Spa subsidiary companies and dealers. The complete Soilmec network list is available on the web site www.soilmec.it

#muddyboots