

Crane Attachments

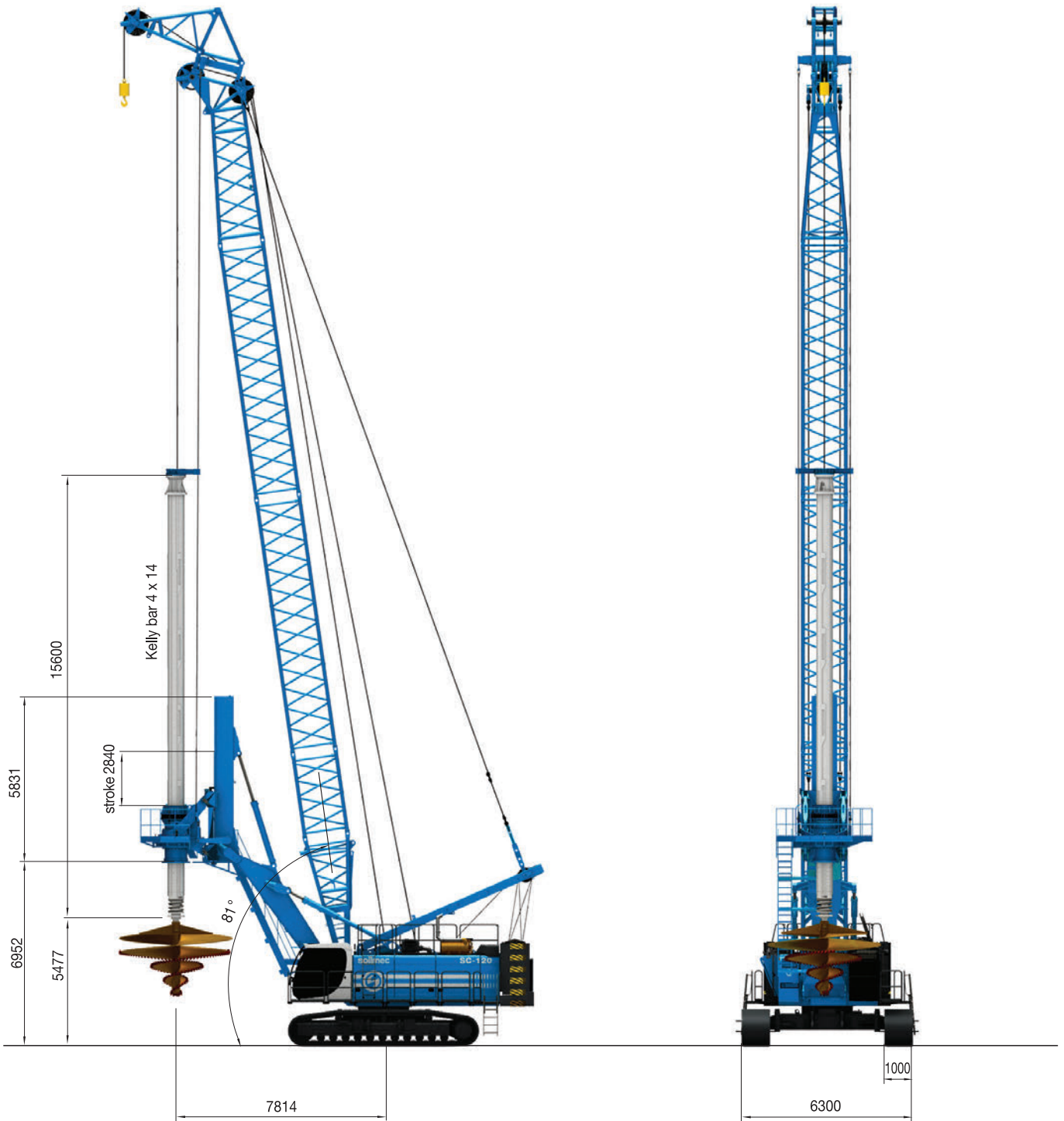
# SA-40



**soilmec**   
Drilling and Foundation Equipment

# SA-40 Crane Attachments

## APPLICATIONS



LDP - Large Diameter Piles		
Max Diameter	4000 mm	157.5 in
Max Depth	94 (106) m	308.4 (348) ft
Min Crane Capacity	90 t	198414 lb

# SA-40 Crane Attachments

## TECHNICAL DATA SHEET

Rotary Table		
- Max torque (intermittent)	413 kNm	304608 lbf*ft
- Rated torque	387 kNm	285432 lbf*ft
- Max Drilling Speed	30,4 rpm	30.4 rpm
- Spin Off Speed	65,5 rpm	65.5 rpm

Crowd System		
- Type	Cylinder	Cylinder
- Stroke	2840 mm	111.8 in
- Max pull (down/up) force	180 kN	40465 lbf
- Max speed up	11,4 rpm	11.4 rpm
- Max speed down	11 rpm	11 rpm

Drilling Depths	Kelly dimensions section x m	Depth		Weight	
		m	ft	ton	ton (US)
4 parts	BL HD 4 x 14	52,5 m	172.3 ft	3,4 t	3.5 ton
	BL HD 4 x 19,5	70,5 m	231.3 ft	3,9 t	4.0 ton
	BL HD 4 x 22	81,0 m	265.8 ft	5,3 t	5.4 ton
	FR HD 4 x 19,5	75,5 m	247.7 ft	3,4 t	3.5 ton
5 parts	FR HD 5 x 19,5	94,0 m	308.4 ft	4,3 t	4.4 ton
	FR HD 5 x 22,5	106 m	384 ft	21 t	23.2 ton

### STANDARD EQUIPMENT

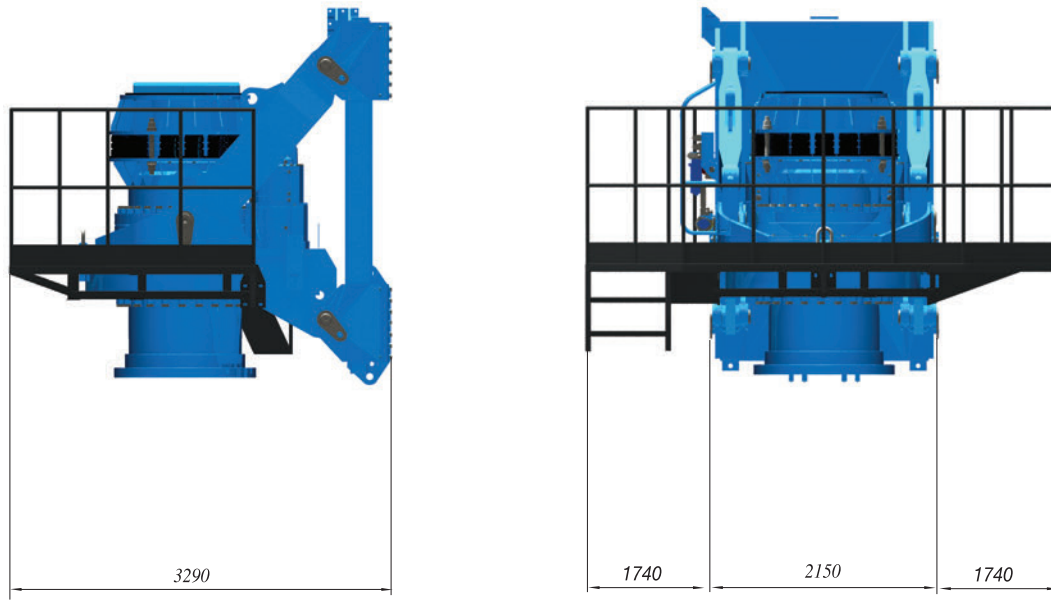
- Kelly guide head c/w guide rope tension kit
- Step ladder c/w handrail
- Crowd cylinder system
- Swivel for main rope
- Mast and mast support c/w stabilizing cylinder
- Rotary head lubrication system
- Platform kit c/w handrail

### OPTIONAL EQUIPMENT

- Casing drive plate
- Cardan shaft for casing driver

# SA-40 Crane Attachments

## TRANSPORT, DIMENSIONS AND WEIGHTS



<b>Rotary table</b>		
Dimensions W x L x H	450 x 2150 x 2290 mm	18 x 85 x 90 in
Weight	12260 kg	27028 lb
<b>Mast</b>		
Dimensions W x L x H	940 x 5830 x 1224 mm	37 x 230 x 48 in
Weight	3573 kg	7877 lb
<b>Mast Support</b>		
Dimensions W x L x H	2240 x 6268 x 5830 mm	88 x 247 x 230 in
Weight	4870 kg	10736 lb
<b>Platform and service ladder</b>		
Platform dimensions	2240 x 6268 x 5830 mm	88 x 247 x 230 in
Platform weight	312 kg	688 lb
Ladder weight	542 kg	1195 lb

This brochure has been edited and distributed by SOILMEC Spa. The present document cancels and override any previous ones. This brochure shall not be distributed, reproduced or exhibited without SOILMEC Spa. authorization in accordance with to SOILMEC web site disclaimer condition.

SOILMEC Spa distributes machinery and structures all over the world, supported by SOILMEC Spa subsidiary companies and dealers. The complete Soilmec network list is available on the web site [www.soilmec.it](http://www.soilmec.it)